

M12 male 0° / M12 female 0° F&B Pro

TPE-S 4x0.34 bu robot+drag chain 4m

Plug Connectors for Food & Beverage

Further cable lengths on request.

Male straight – female straight

M12 F&B Pro

4-pole

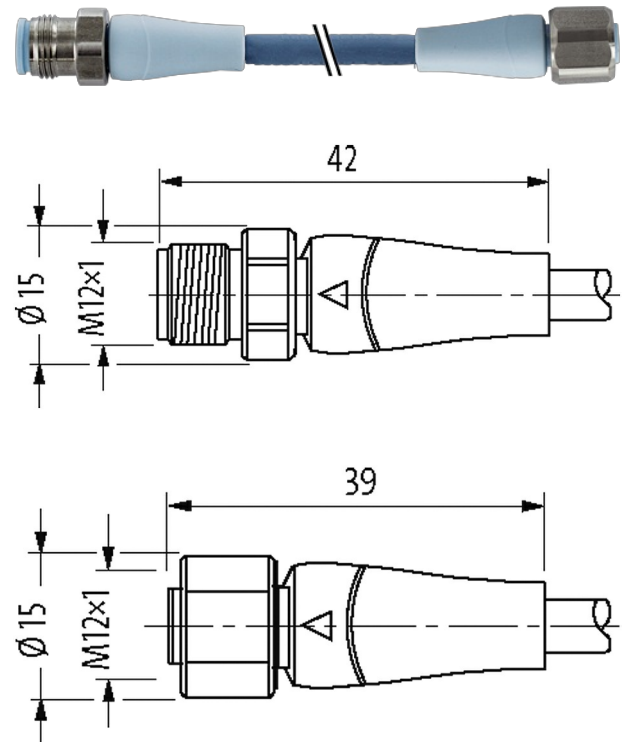
Stainless steel 1.4404 (V4A)

without cable sleeves

IP69K

Plastic housings with good resistance against chemicals and oils.

The resistance to aggressive media should be individually tested for your application. Further details on request.

[Link to Product](#)**Illustration**

Product may differ from Image

Approvals**Form**

Form 40021

General data

Standards DIN EN 61076-2-101 (M12), FDA conform

Mounting method inserted, tightened

| | |
|----------------------------|---|
| Material (contact) | Copper alloy |
| Material (contact surface) | Au |
| Material (contact carrier) | PP, ice blue |
| Material (gasket) | EPDM |
| Pollution Degree | 3 |
| Temperature range | -40...+105 °C, depending on cable quality |

Cables

| | |
|------------------------------------|--|
| Cable number | 321 |
| No./diameter of wires | 4 × 0.34 mm ² |
| Wire isolation | PP (br, wh, bl, bk) |
| C-track properties | 4 Mio. |
| Jacket Color | pastel blue |
| Material (jacket) | TPE-S |
| Outer Ø | 4.7 mm ±5% |
| Bend radius (moving) | 10 × outer Ø |
| Temperature range (fixed) | -40...+105 °C |
| Temperature range (mobile) | -25...+105 °C |
| Cable identification | 321 |
| Approval (cable) | UL (AWM-Style 22126/11558), CE conform |
| Cable weight [g/m] | 29,70 |
| Material (wire) | Cu wire, bare |
| Resistor (core) | max. 58 Ω/km (20 °C) |
| Single wire Ø (core) | 0.1 mm |
| Construction (core) | 42 × 0.1 mm (multi-strand wire class 6) |
| Diameter (core) | 4 × 0.34 mm ² |
| AWG | similar to AWG 22 |
| Material (wire isolation) | PP |
| Material property (wire isolation) | CFC-, halogen-, cadmium-, silicone- and lead-free |
| Shore hardness (wire isolation) | 64 ±3 D |
| Wire-Ø incl. isolation | 1.27m ±5% |
| Color/numbering of wires | br, bk, bl, wh |
| Stranding combination | 4 wires twisted |
| Shield | no |
| Material (jacket) | TPE-S (laser-markable) |
| Material property (jacket) | CFC-, halogen-, cadmium-, silicone- and lead-free, matt, low-adhesion, machine easy to process, abrasion-resistant, hydrolysis and microbial resistant |
| Shore hardness (jacket) | 47 ±5 D |
| Outer-Ø (jacket) | 4.7 mm ±5% |
| Color (jacket) | pastel blue |
| Nominal voltage | 300 V AC |
| Test voltage | 3000 V AC |
| Current load capacity | to DIN VDE 0298-4 |
| Temperature range (fixed) | -40...+105 °C |
| Temperature range (mobile) | -25...+105 °C |
| Bend radius (fixed) | 5 × outer Ø |
| Bend radius (moving) | 10 × outer Ø |
| No. of bending cycles (C-track) | max. 4 Mio. (25 °C) |
| Traversing distance (C-track) | max. 10 m |
| Travel speed (C-track) | max. 3 m/s |

| | |
|------------------------|--------------------------|
| Acceleration (C-track) | max. 10 m/s ² |
| Torsion stress | ±180°/m |
| No. of torsion cycles | max. 2 Mio. (25 °C) |
| Torsion speed | 35 cycles/min |

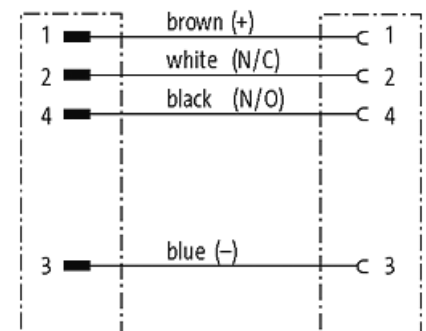
Technical Data

| | |
|---|--|
| Operating voltage | max. 250 V AC/DC |
| Rated surge voltage | 2.5 kV |
| Operating current per contact | max. 4 A |
| No. of poles | 4-pole |
| Material group | IEC 60664-1, category I |
| Coding | A-coded |
| LED display | no |
| Locking of ports | Screw thread (M12×1 mm) recommended torque 0.6 Nm, self-securing |
| Compression gland | M12 (SW14) |
| Protection | IP65, IP68, IP69K inserted and tightened (EN 60529) |
| Material | PP |
| Locking material | Stainless steel 1.4404 (V4A) |
| suitable for corrugated tube (internal Ø) | without |

Commercial data

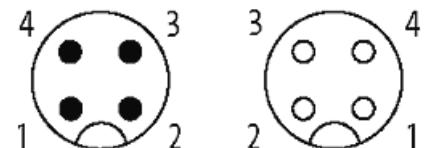
| | |
|-----------------------|---------------|
| country of origin | DE |
| customs tariff number | 85444290 |
| EAN | 4048879774635 |
| eClass | 27279218 |
| Packaging unit | 1 |

Sketch



Male

Female



Product may differ from Image